

R6B

Machines Manufactured before March of 1996

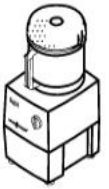
Serial Numbers up to R6N002727N also R6N002767N to R6N002768N

2- Speed, 208-240 Volt, 3 Phase, 60Hz., 1 HP.

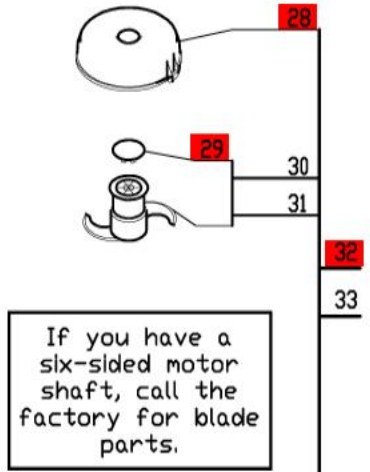
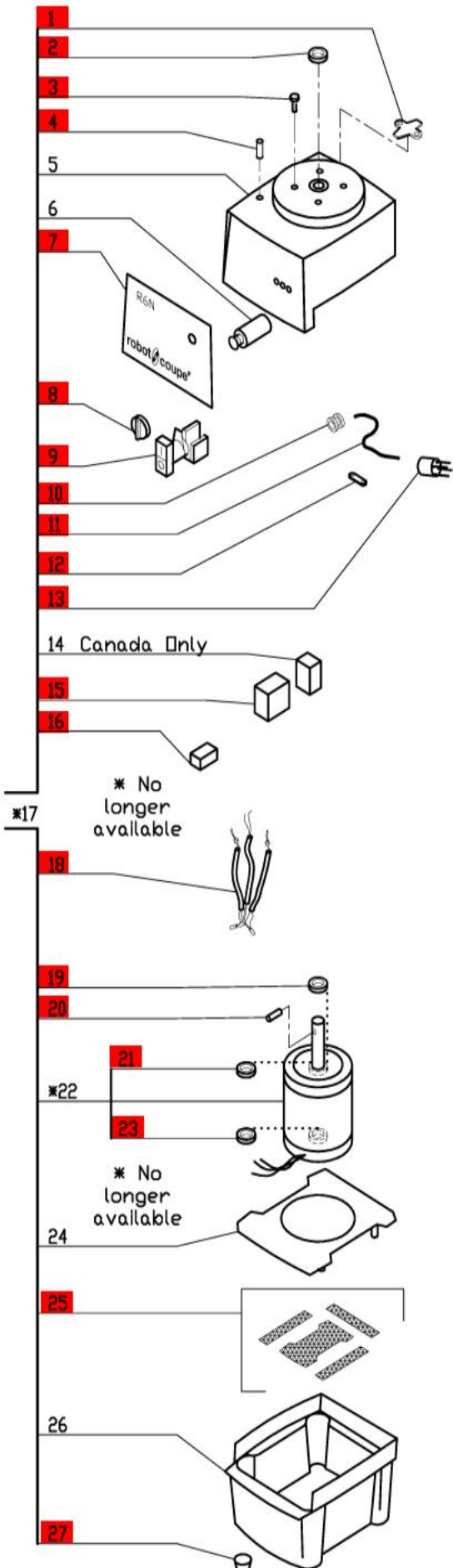
Low Speed-850 RPM, 2.6 Amps

High Speed-1725 RPM, 2.8 Amps

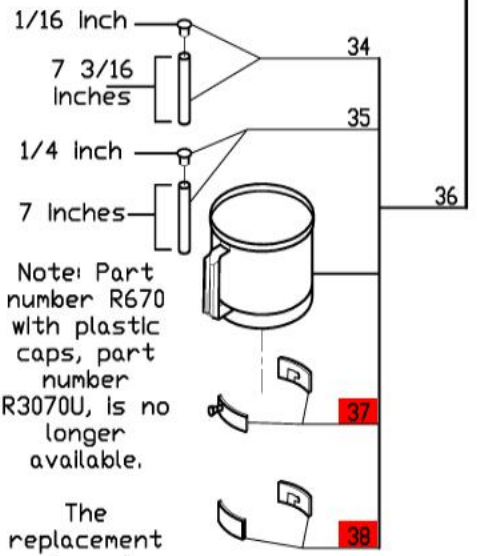
Use C Designated Plates.



**Click on Red Dot
OR
Call us
800-465-6060**



If you have a six-sided motor shaft, call the factory for blade parts.



Note: Part number R670 with plastic caps, part number R3070U, is no longer available.

The replacement part number R670, incorporates a metal plug cap.

ACCESSORIES

