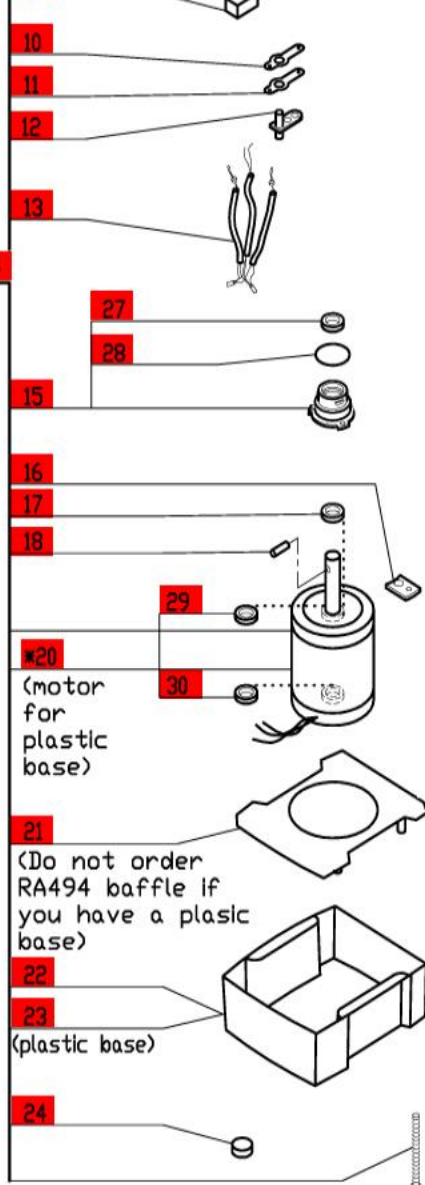
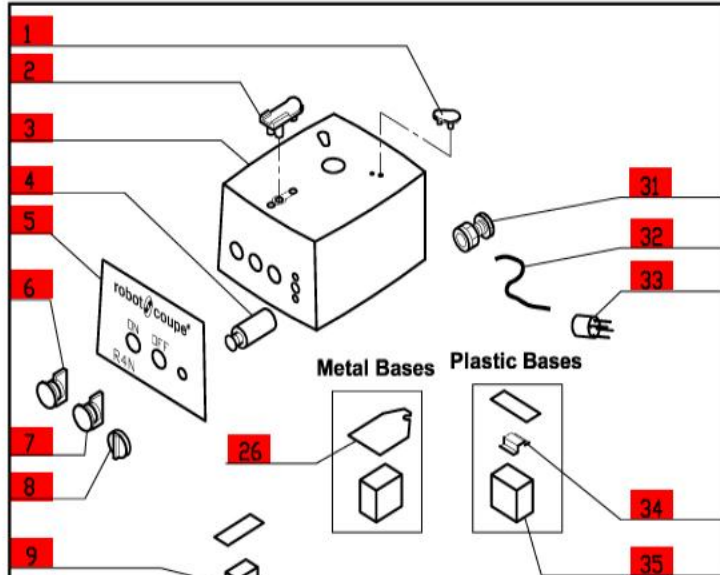
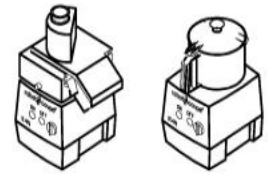
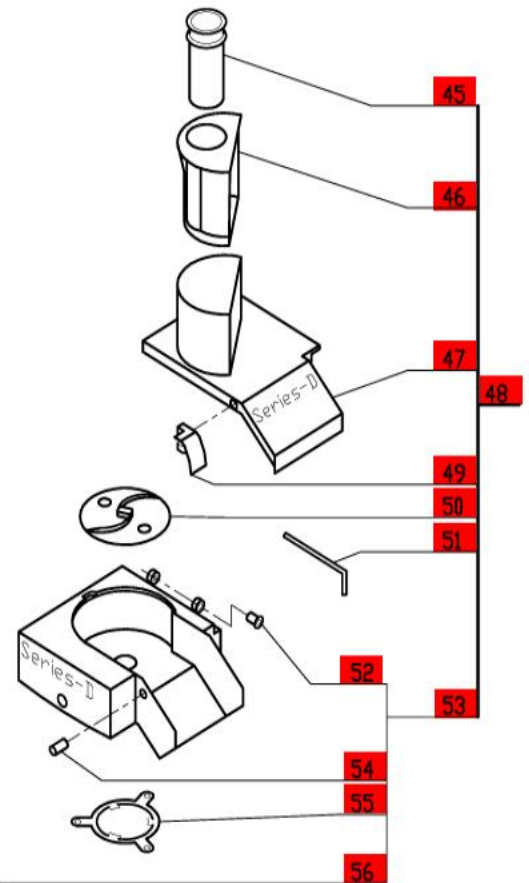
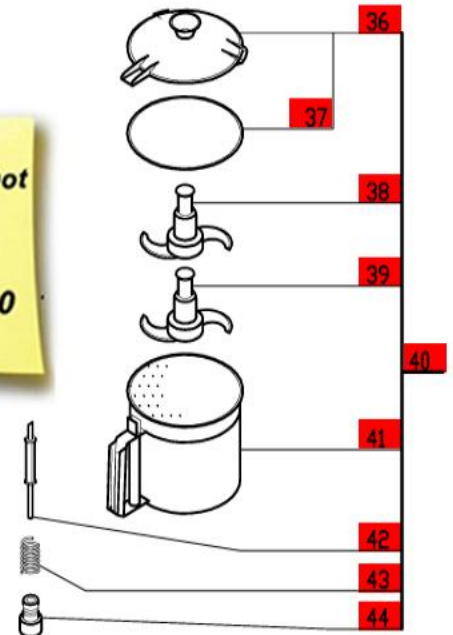


# R4N Series D

Series D, Serial Numbers 232xxxx13 (USA)  
 and JA500A and above (Canadian)  
 2- Speed, 208-240 Volt, 3 Phase, 60Hz., 1 HP.  
 Low Speed-850 RPM, 2.6 Amps  
 High Speed- 1725 RPM, 2.8 Amps  
 Use **Series-D** Plates.



Click on Red Dot  
 OR  
 Call us  
 800-465-6060



Use only cutting plates listed on the 'Series D' Chart.

ACCESSORIES

