

R4C Series D

Series D, Serial Numbers 232xxxxx13 (USA)

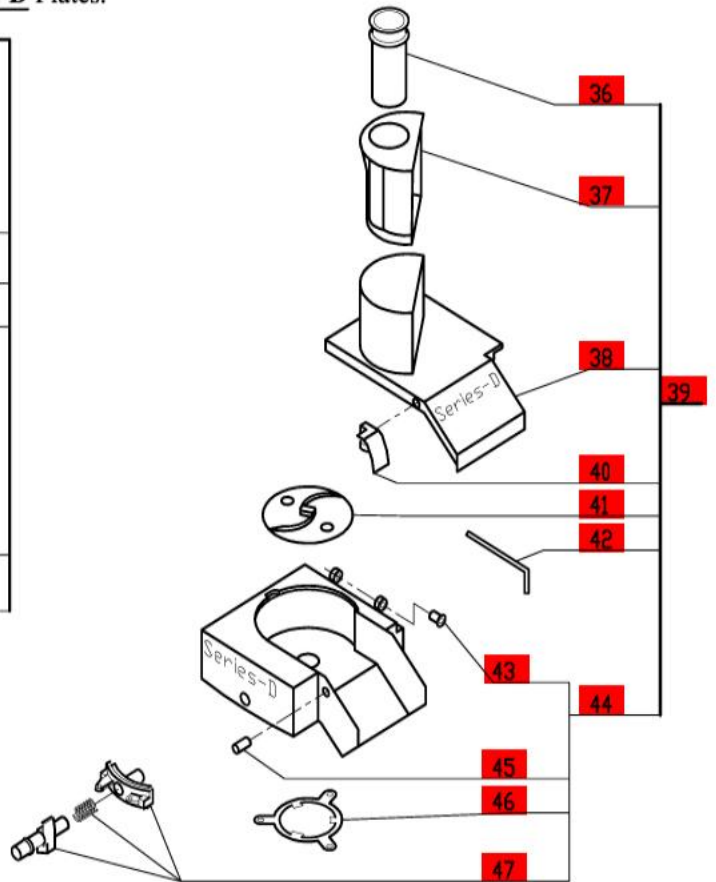
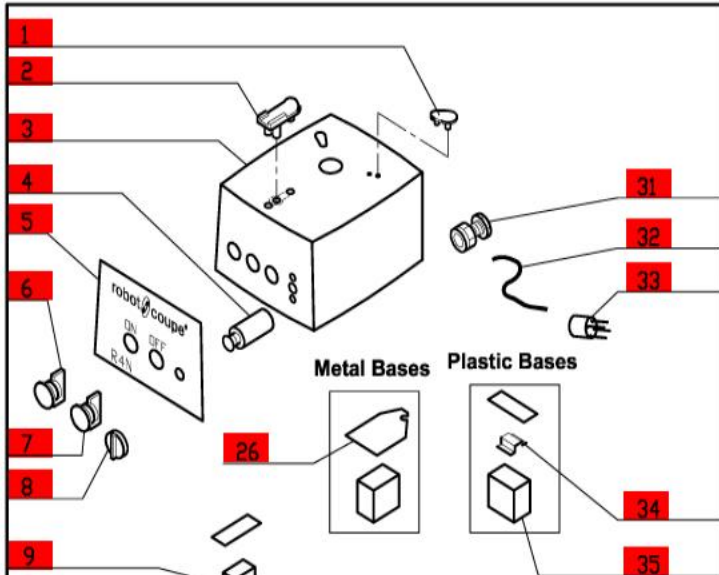
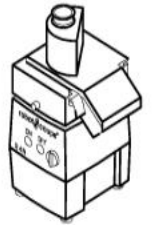
and JA500A and above (Canadian)

2- Speed, 208-240 Volt, 3 Phase, 60Hz., 1 HP.

Low Speed-850 RPM, 2.6 Amps

High Speed- 1725 RPM, 2.8 Amps

Use **Series-D** Plates.

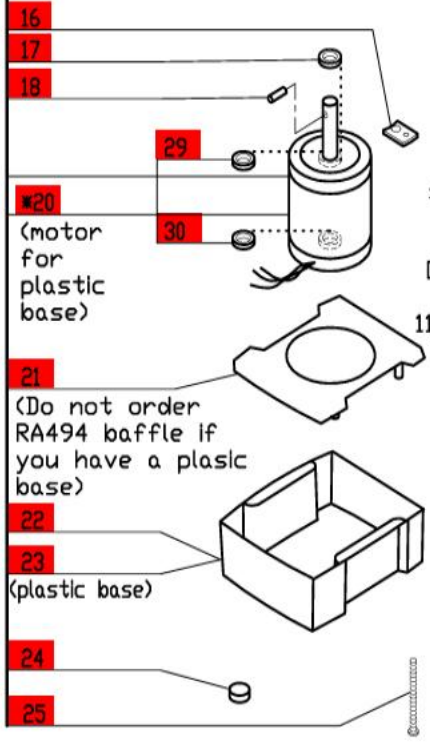


**Click on Red Dot
OR
Call us
800-465-6060**

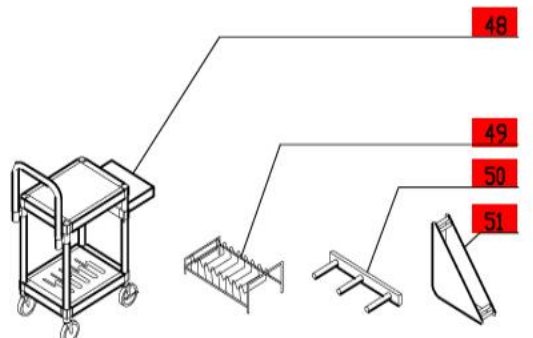


ACCESSORIES

Use only cutting plates listed on the "Series D" Chart.



* RA604D old style motor is no longer available. Order S193379, 29620, R611, 117770, and four BX658 screws.



*20 (motor for plastic base)

21 (Do not order RA494 baffle if you have a plastic base)

22 23 (plastic base)