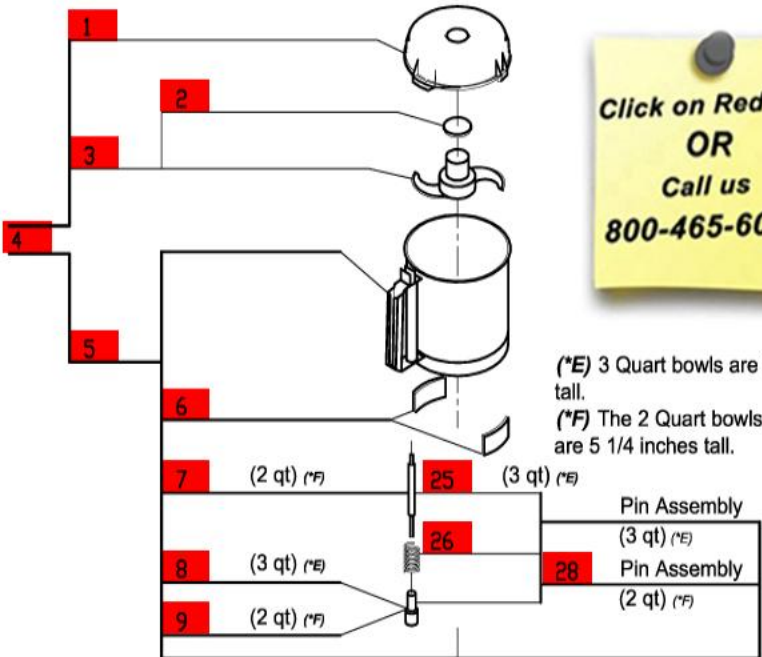
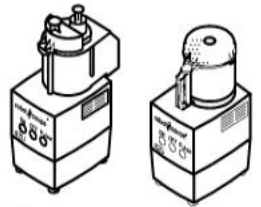


R2N Ultra

Serial Number Series- R2Uxxxxx Also, 231xxxxx03

1- Speed, 120 Volt, 1 Phase, 60Hz., 1 HP.

1725 RPM, 7 Amps



**Click on Red Dot
OR
Call us
800-465-6060**

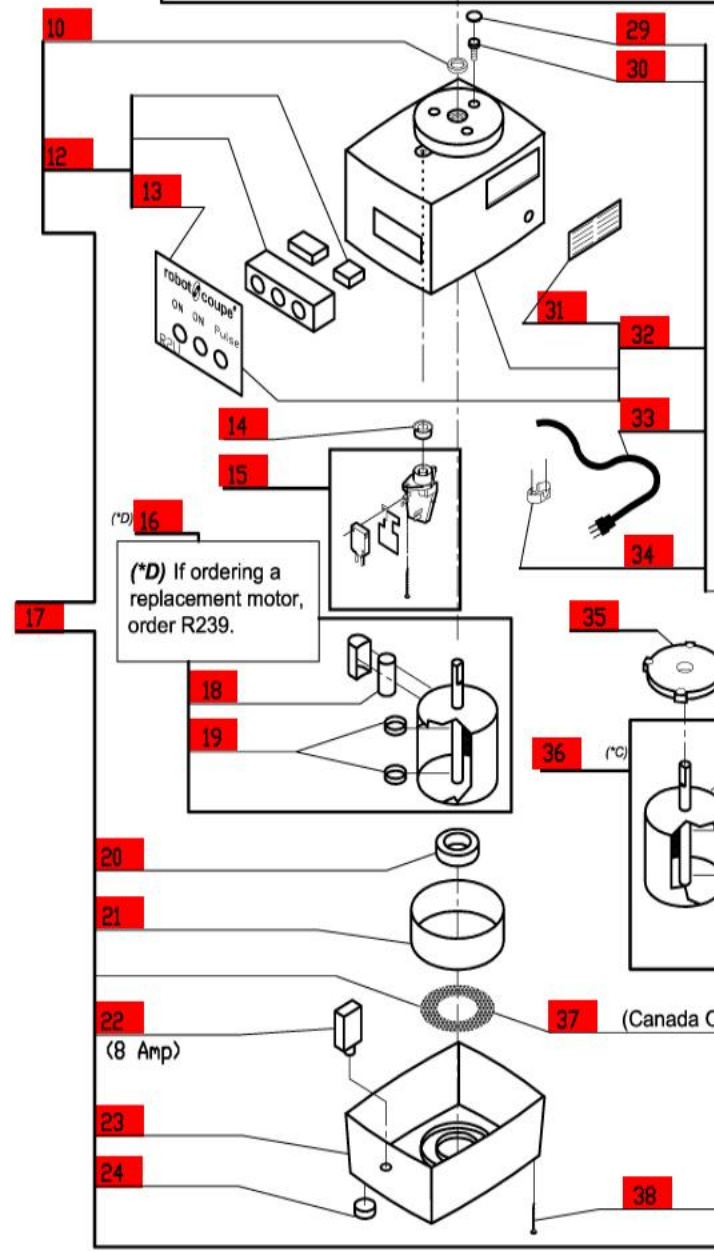
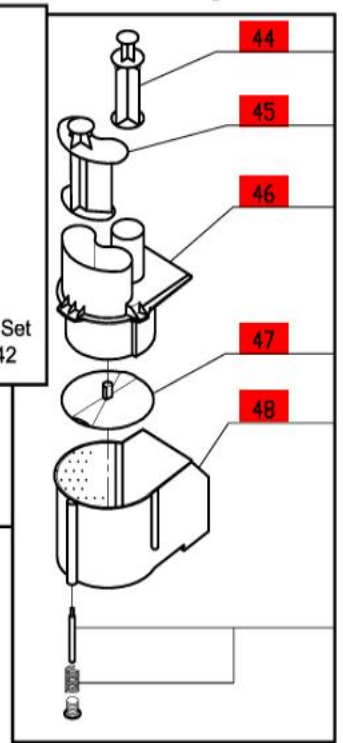
(*E) 3 Quart bowls are 6 inches tall.
(*F) The 2 Quart bowls (NLA) are 5 1/4 inches tall.

(*A)
27242

(USA)
Serial Numbers
Beginning 231xxxxx03

(Canada)
Beginning
R2U5500

Any complete Feed Lead Set
can be replaced with 27242

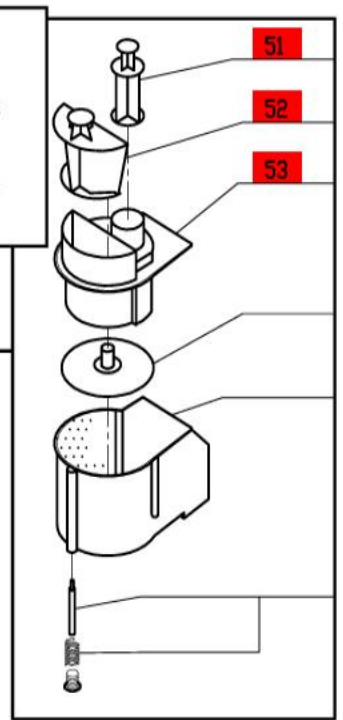


(*C)
This Motor (R239D) has a plastic spacer (R239D.3 - not included) mounted on top.

See also R239 motor

(USA)
Serial #
R2Uxxxxx

(Canada)
to Serial #
R2U5499



(*B)
R245N is no longer available. Use 27242.

ACCESSORIES

