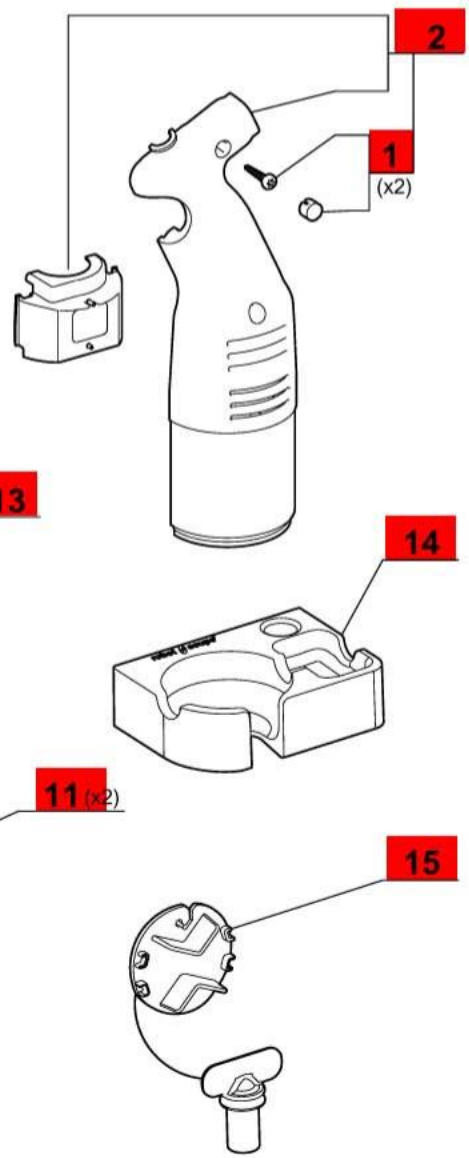
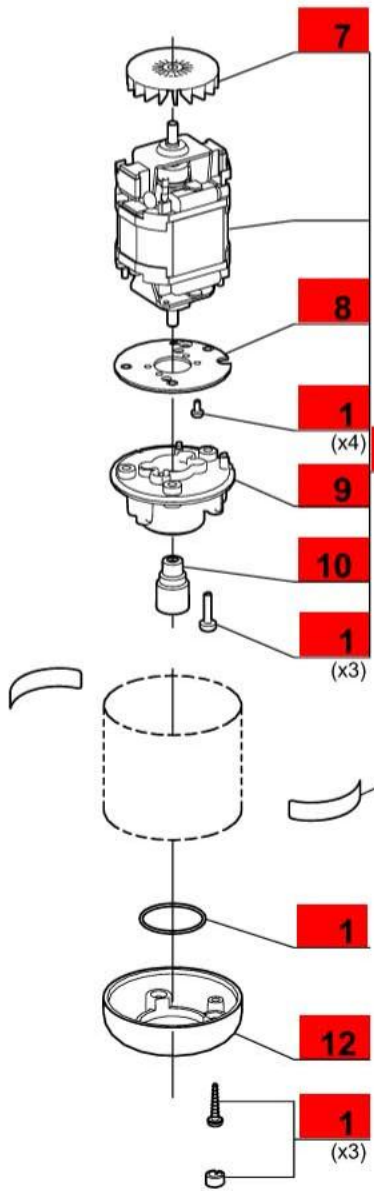
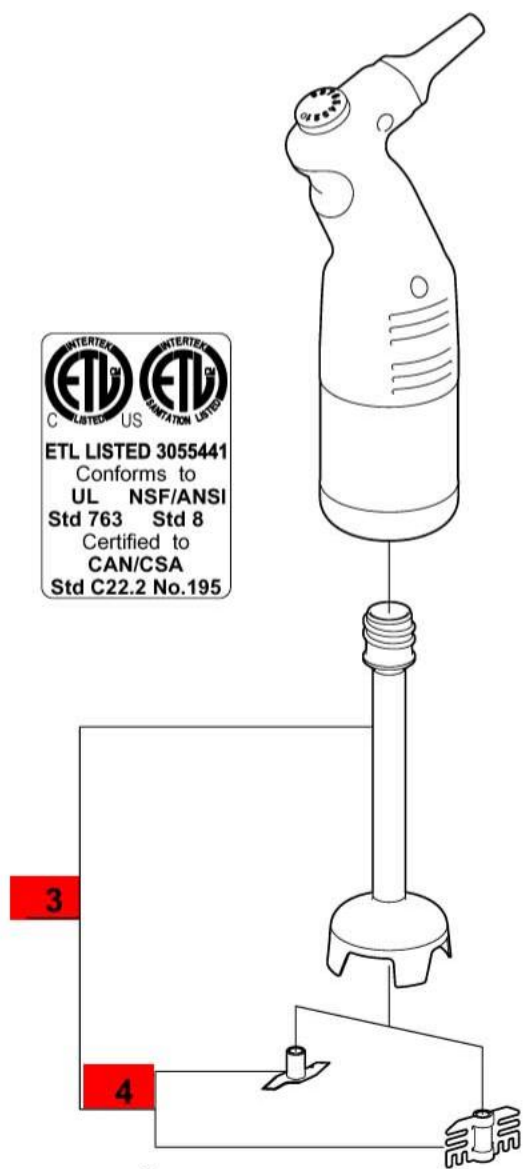
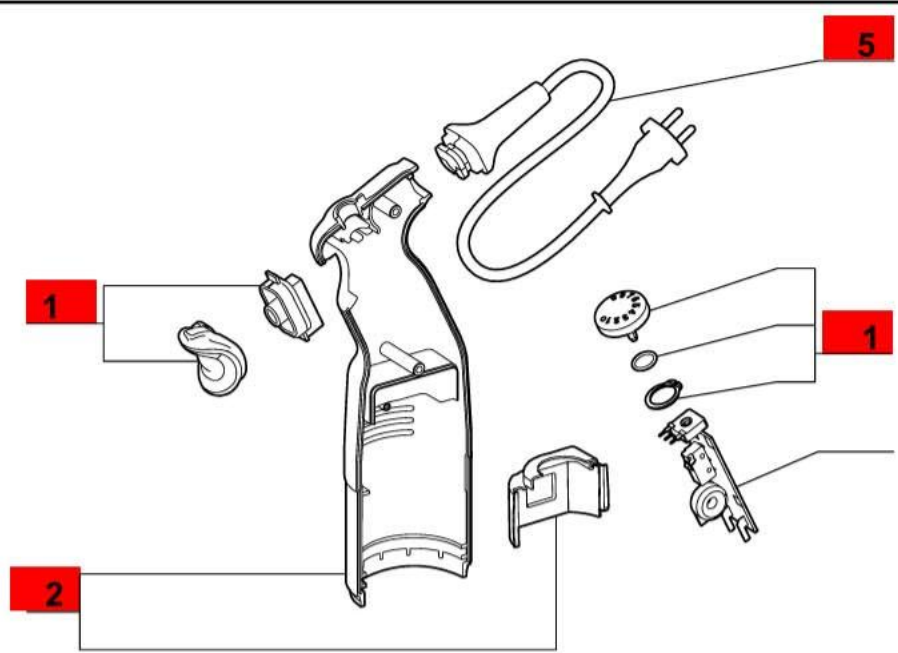


**Click on Red Dot  
OR  
Call us  
800-465-6060**



ETL LISTED 3055441  
Conforms to  
UL NSF/ANSI  
Std 763 Std 8  
Certified to  
CAN/CSA  
Std C22.2 No.195