

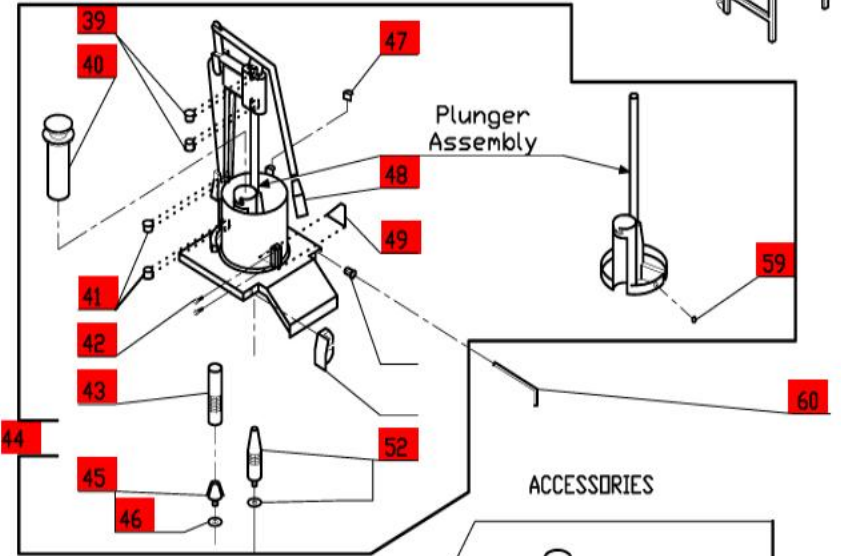
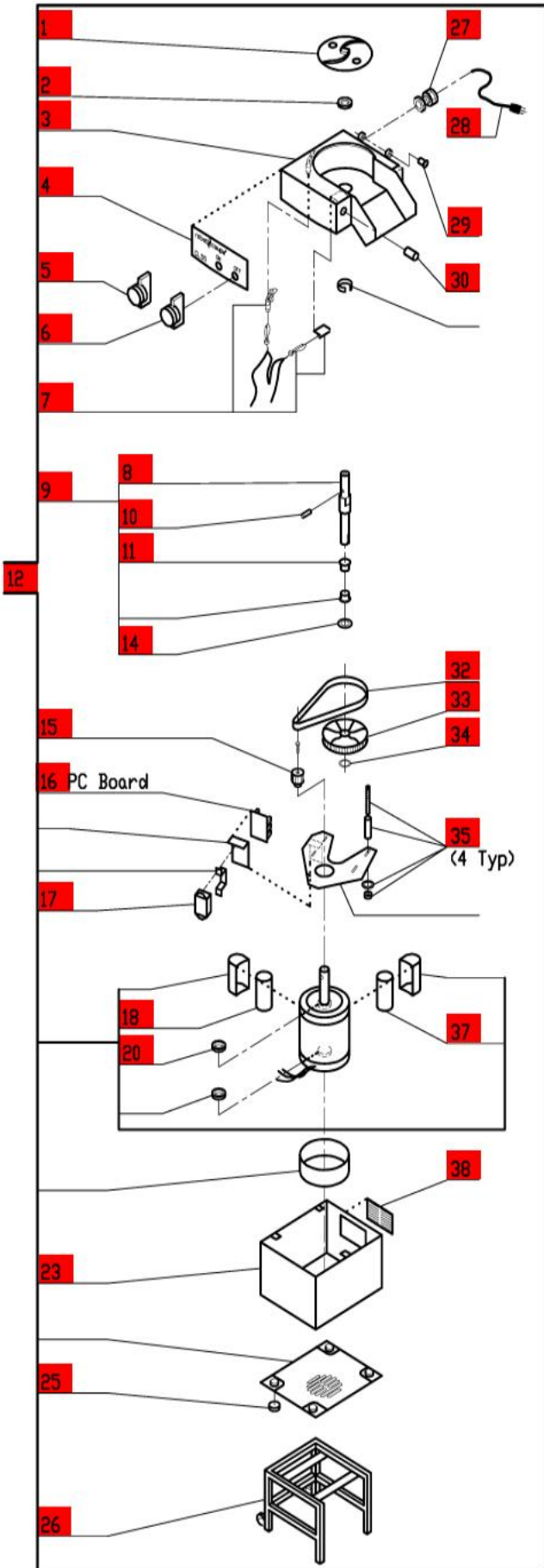
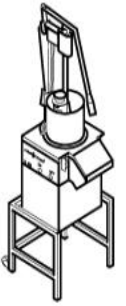
CL55 Pusher

CL55 with Whole Head Feed Pusher Attachment (CL5514)

as standard.

Machines with Serial Numbers 83/142 and below

1- Speed, 120 Volt, 1 Phase, 60Hz., 3/4 HP., 425 RPM, 12 Amps. Use C Designated Plates.



ACCESSORIES

NOTE: Use "C" designated plates.

Click on Red Dot
OR
Call us
800-465-6060

