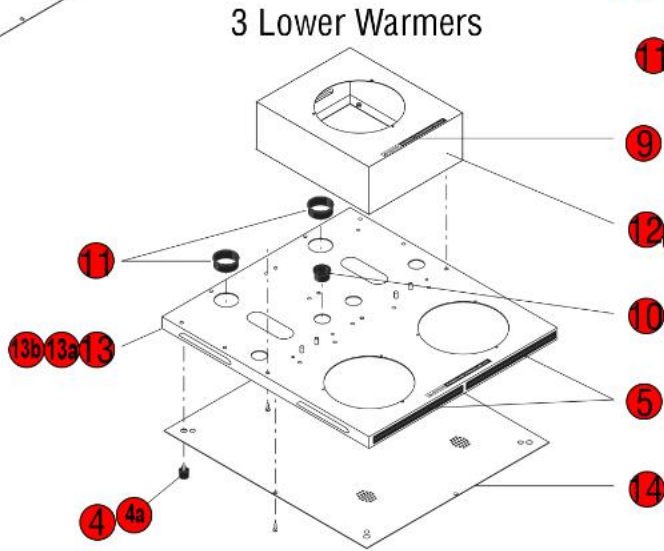
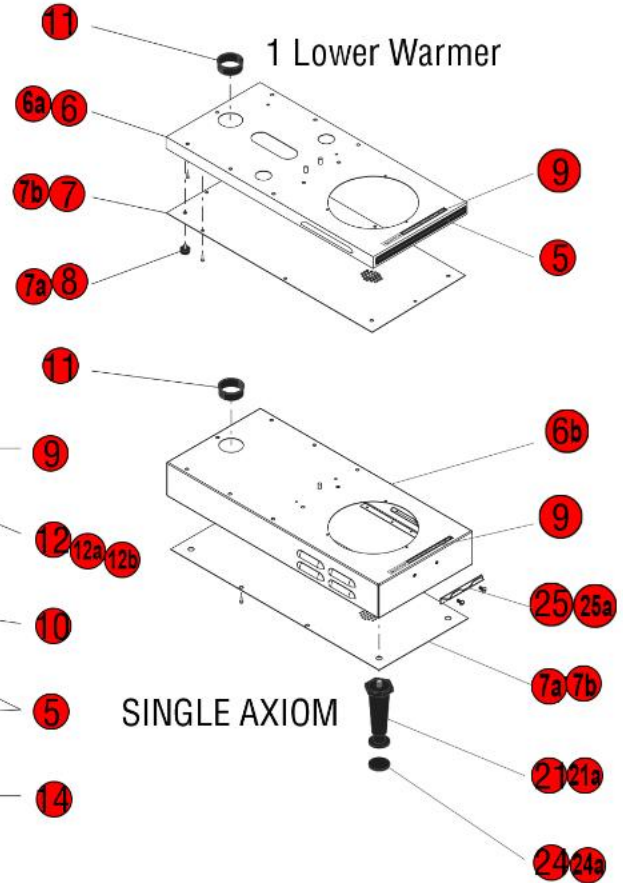


APS/TS

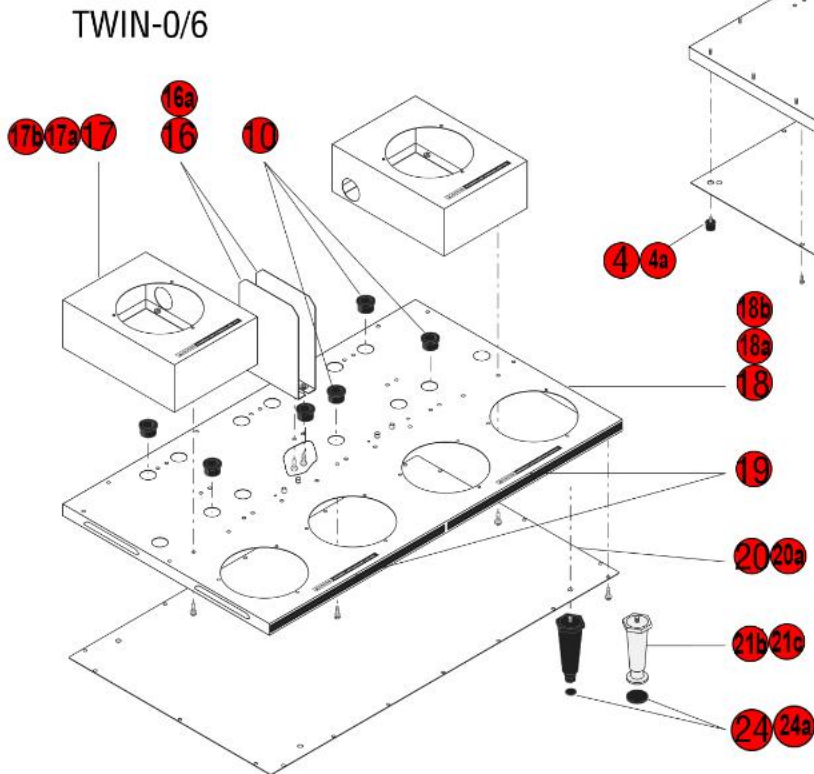
Click on Red Dot  
OR  
Call us  
800-465-6060



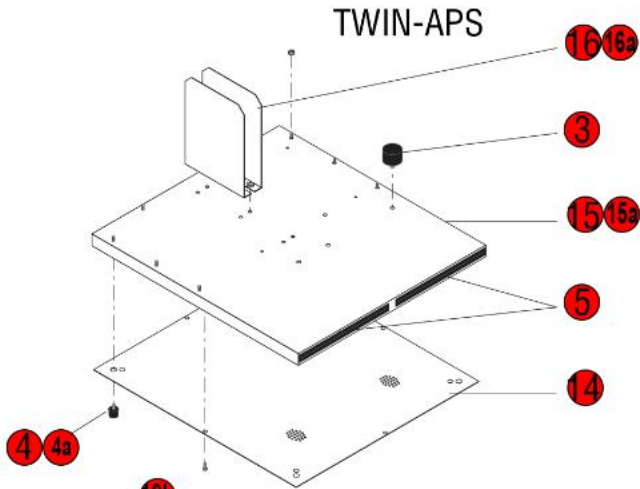
3 Lower Warmers



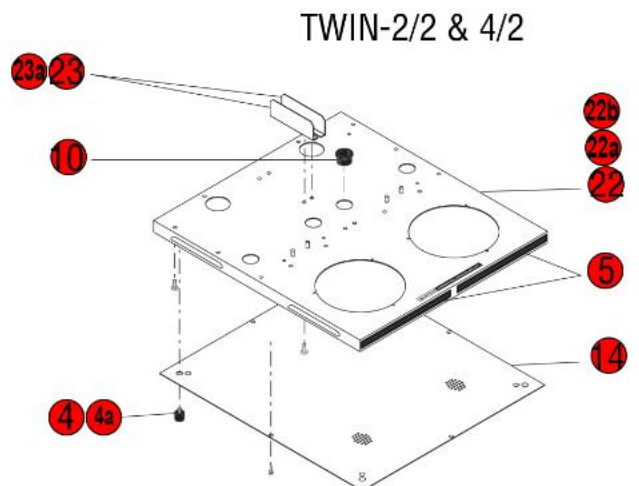
SINGLE AXIOM



TWIN-0/6

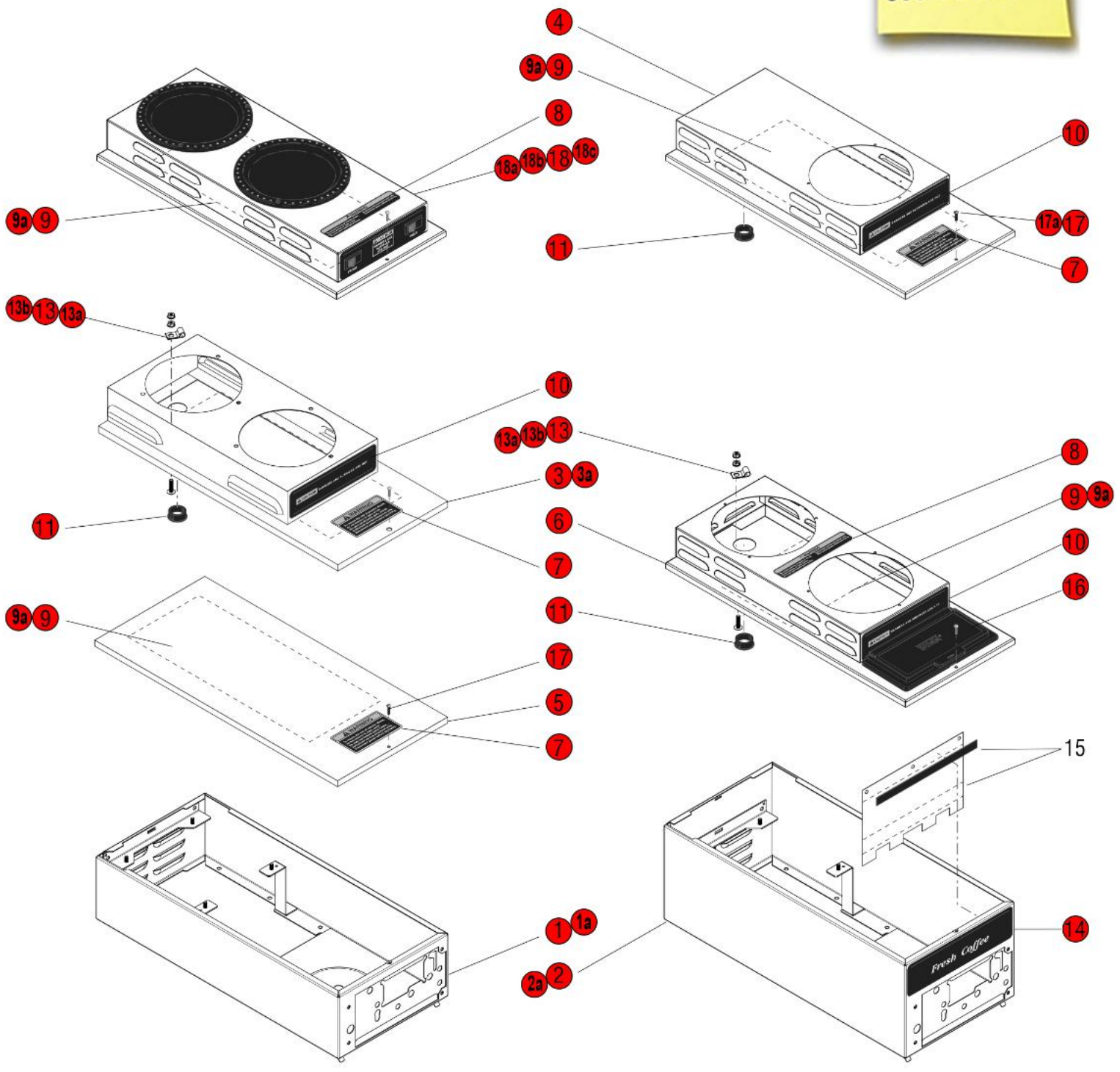


TWIN-APS

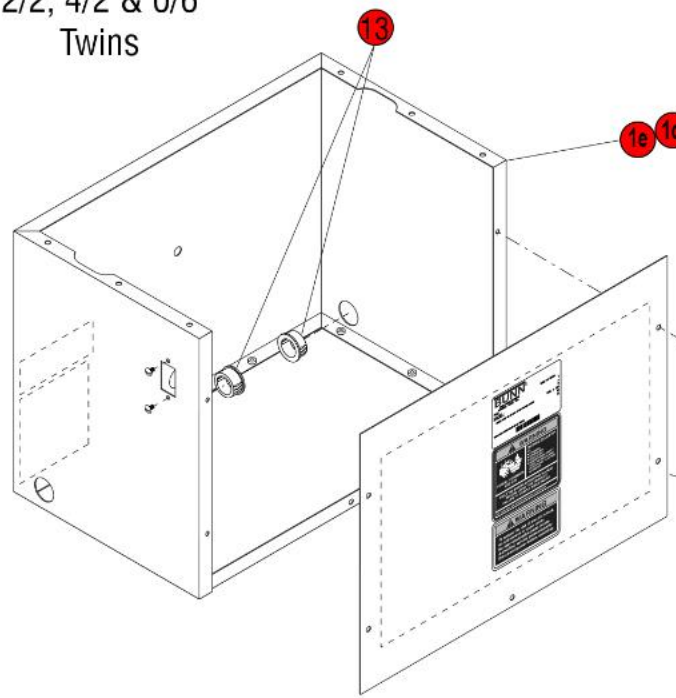


TWIN-2/2 & 4/2

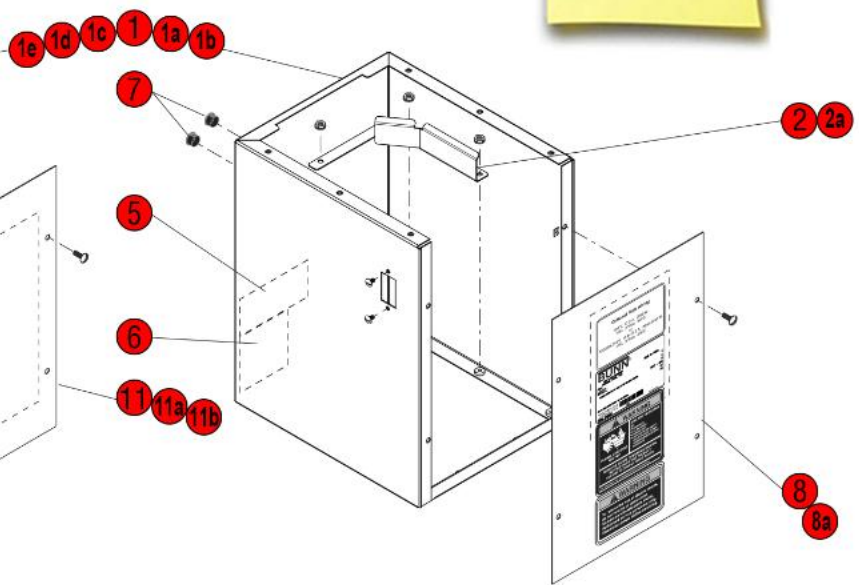
Click on Red Dot  
OR  
Call us  
800-465-6060



2/2, 4/2 & 0/6  
Twins

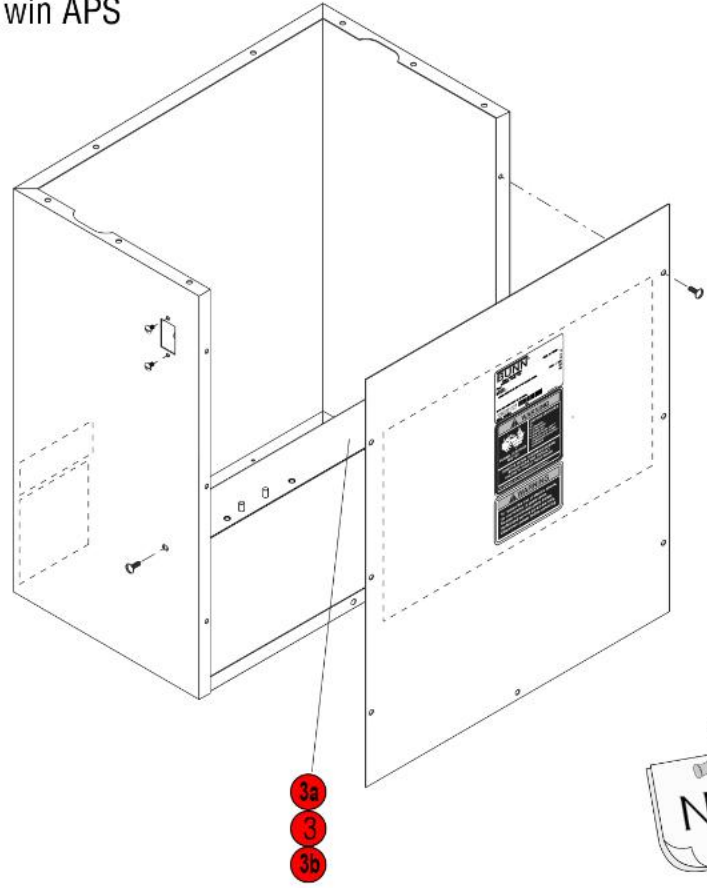


Standard Trunk

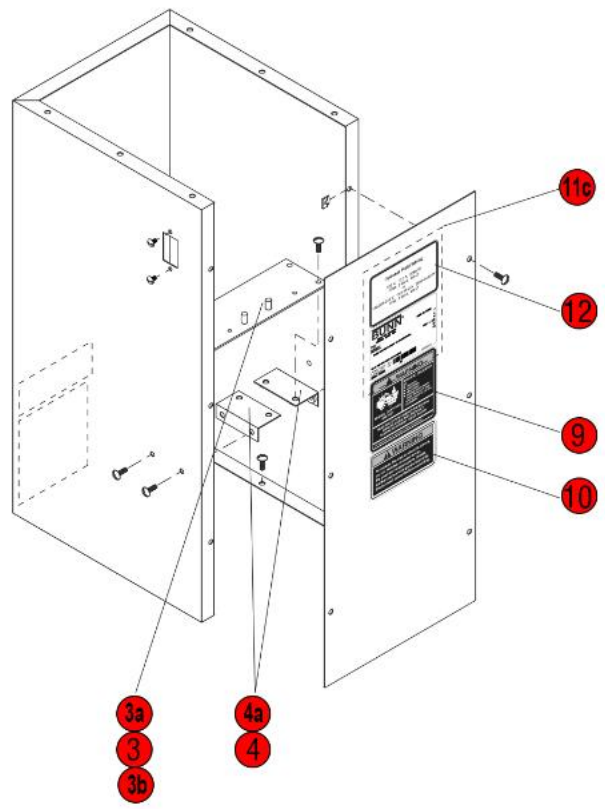


Click on Red Dot  
OR  
Call us  
800-465-6060

Twin APS



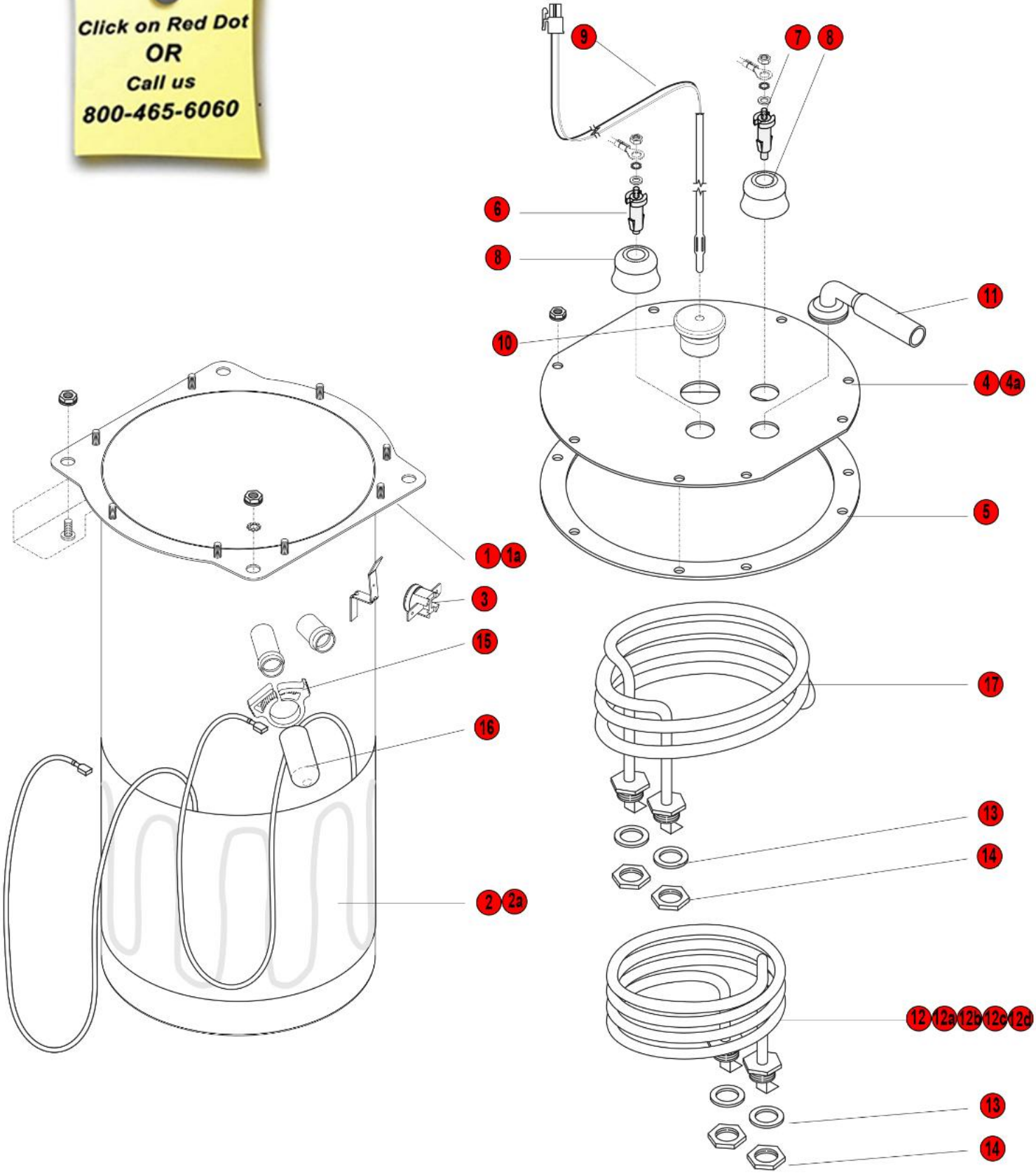
APS Shown, TC Similar



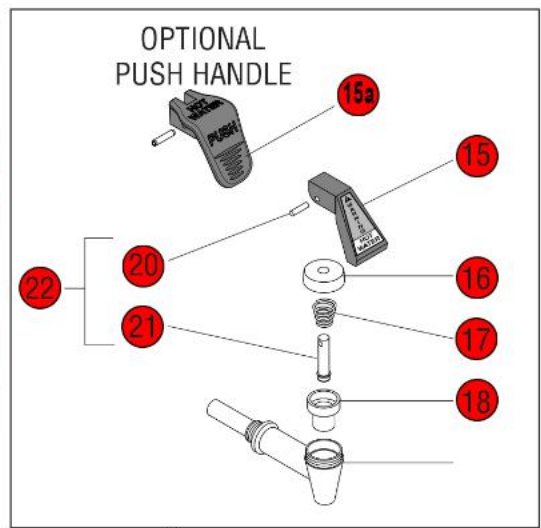
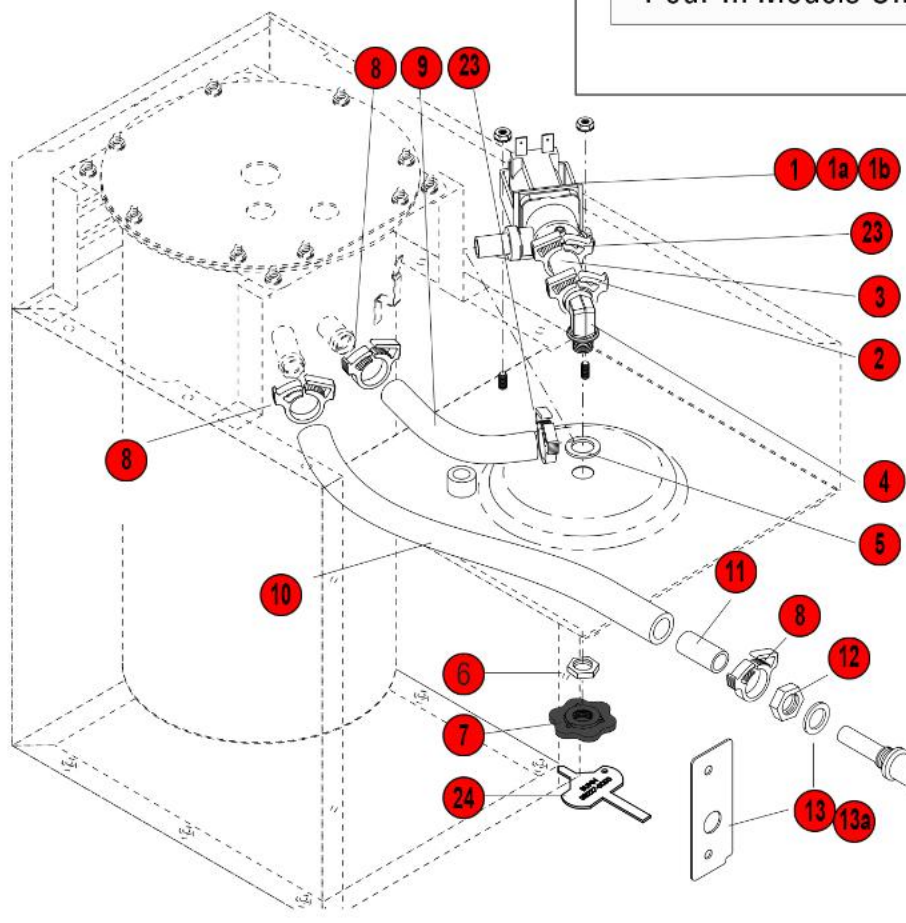
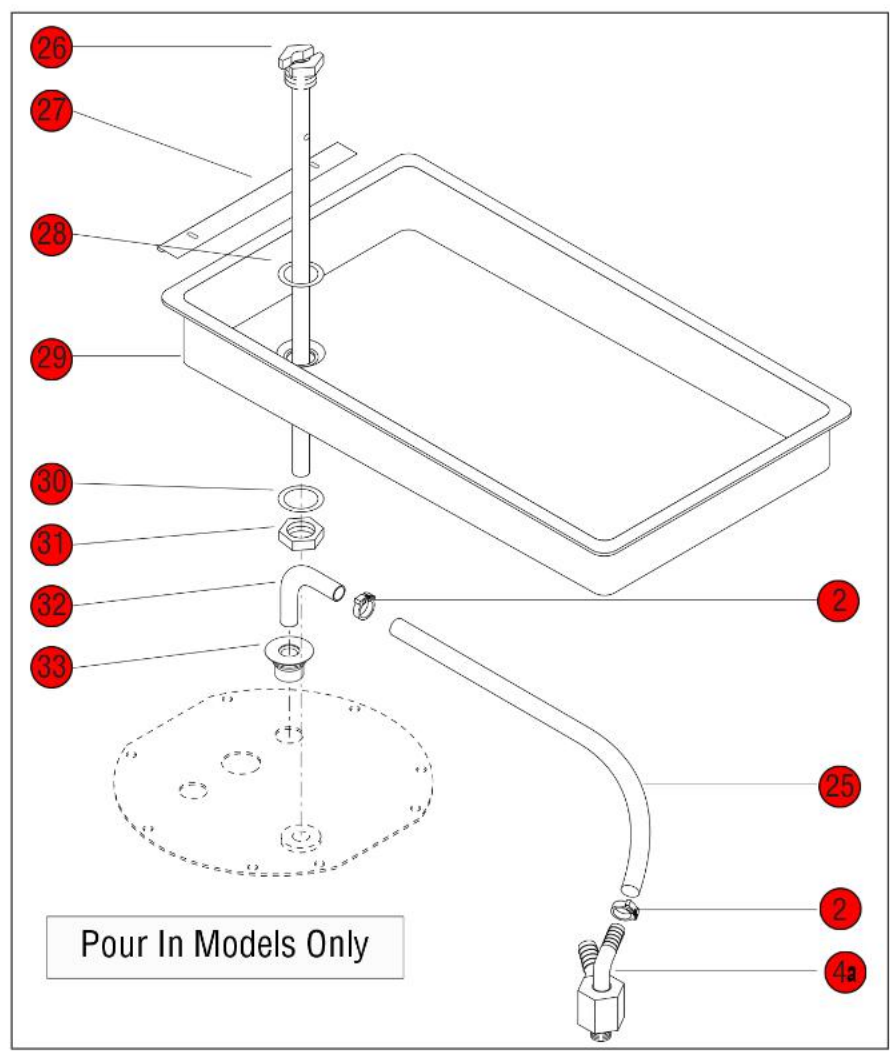
Note

Second style trunks shown (rectangular switch hole)  
For newer models with toggle switch, refer to first  
style trunks on next page.

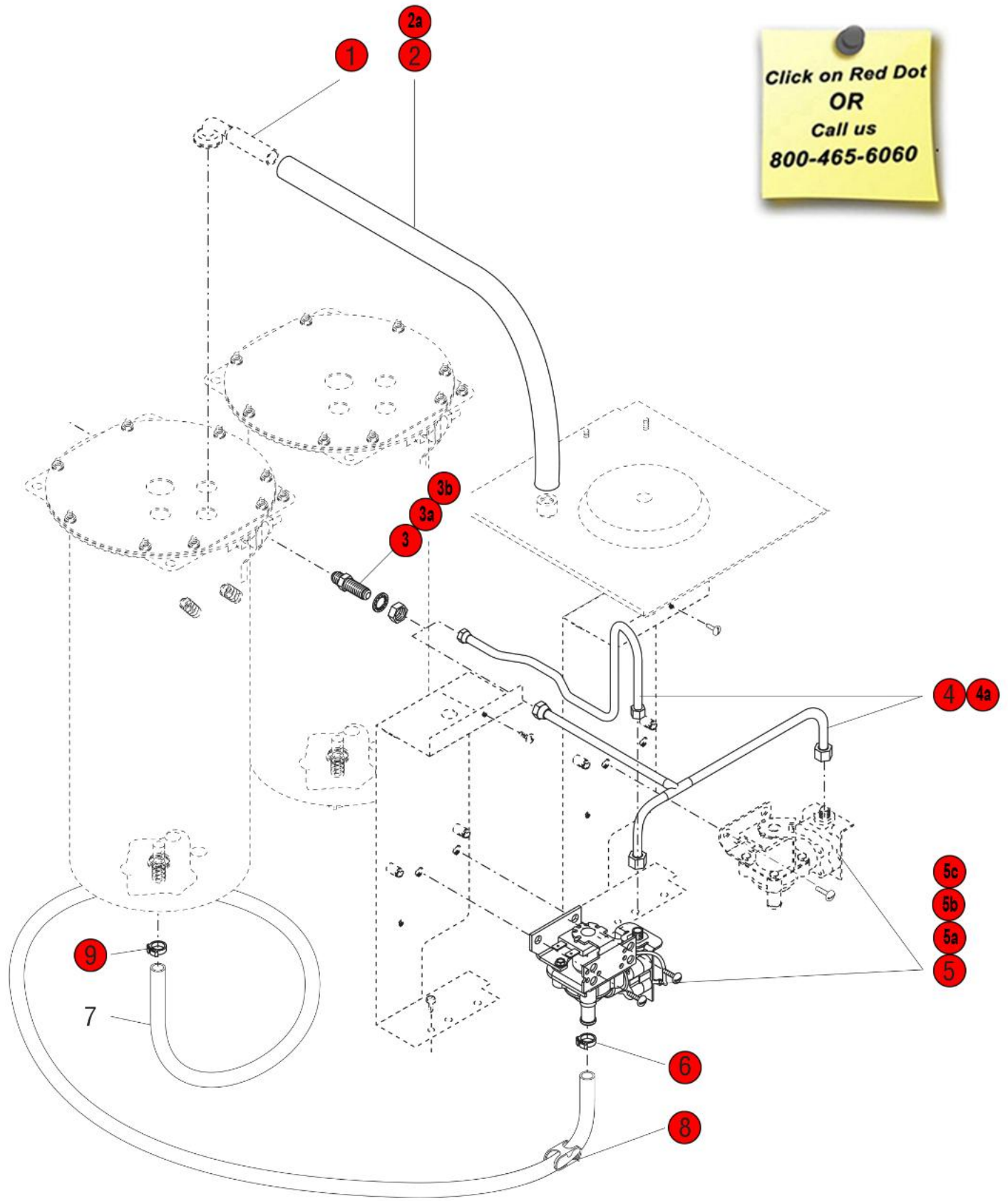
Click on Red Dot  
OR  
Call us  
800-465-6060



Click on Red Dot  
OR  
Call us  
800-465-6060

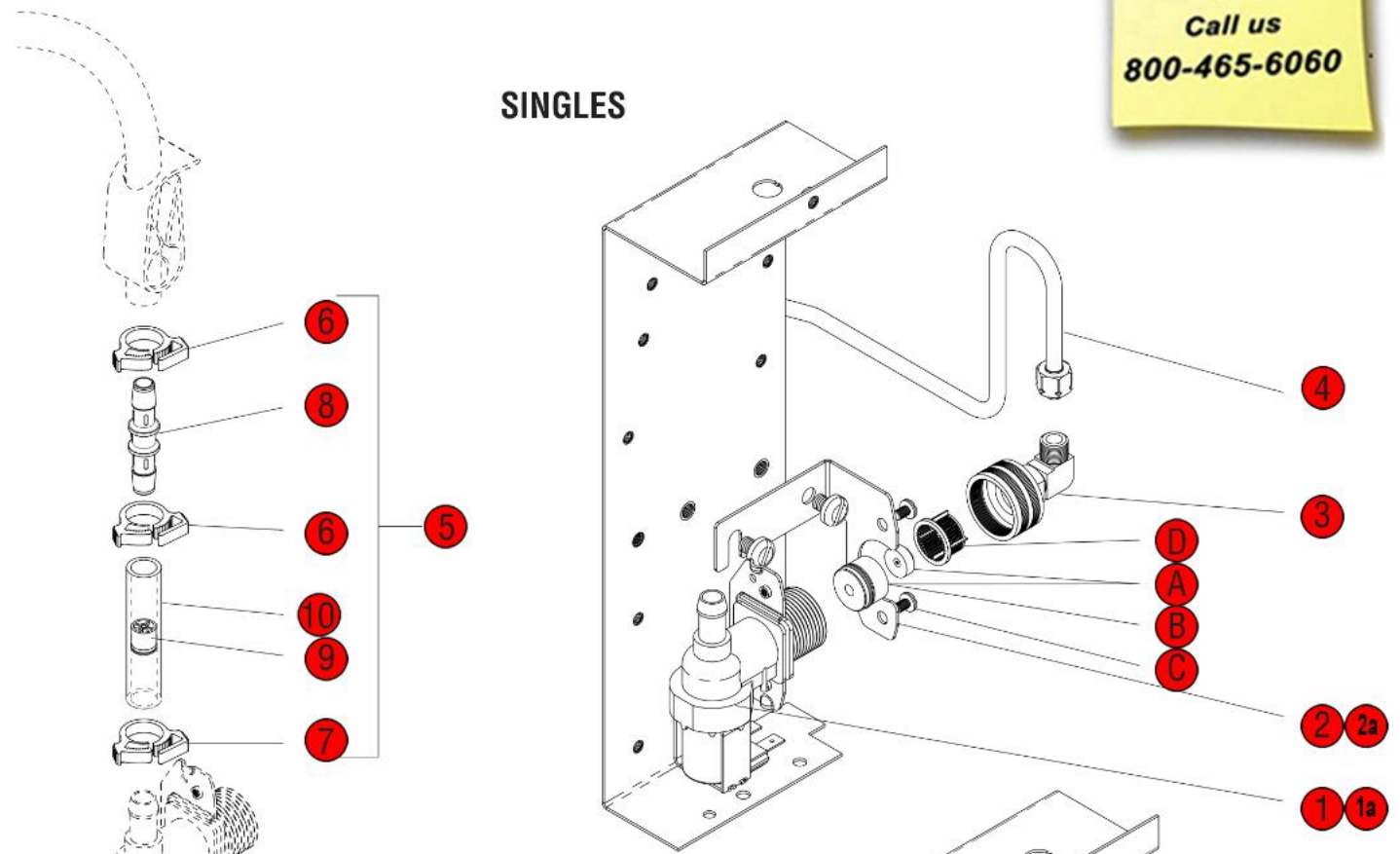


Click on Red Dot  
OR  
Call us  
800-465-6060

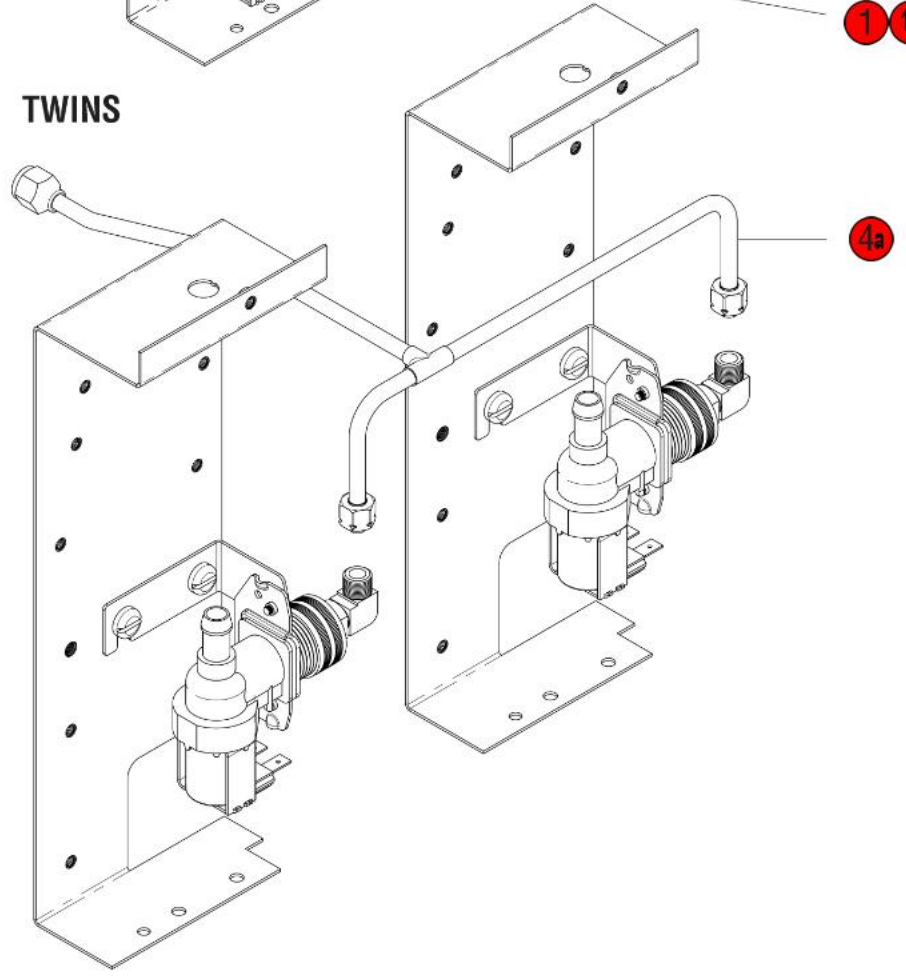


Click on Red Dot  
OR  
Call us  
800-465-6060

**SINGLES**

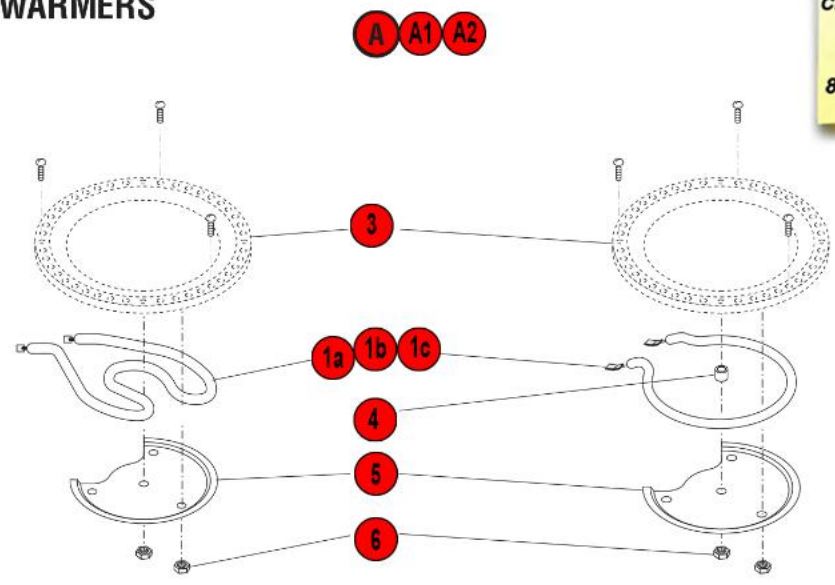
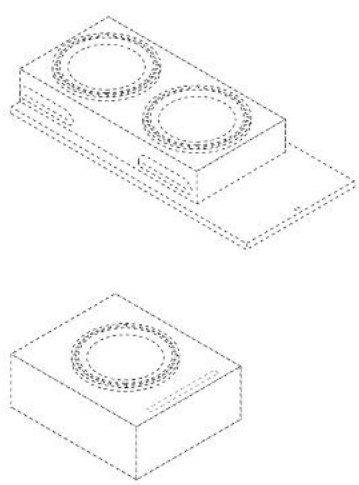


**TWINS**



Click on Red Dot  
OR  
Call us  
800-465-6060

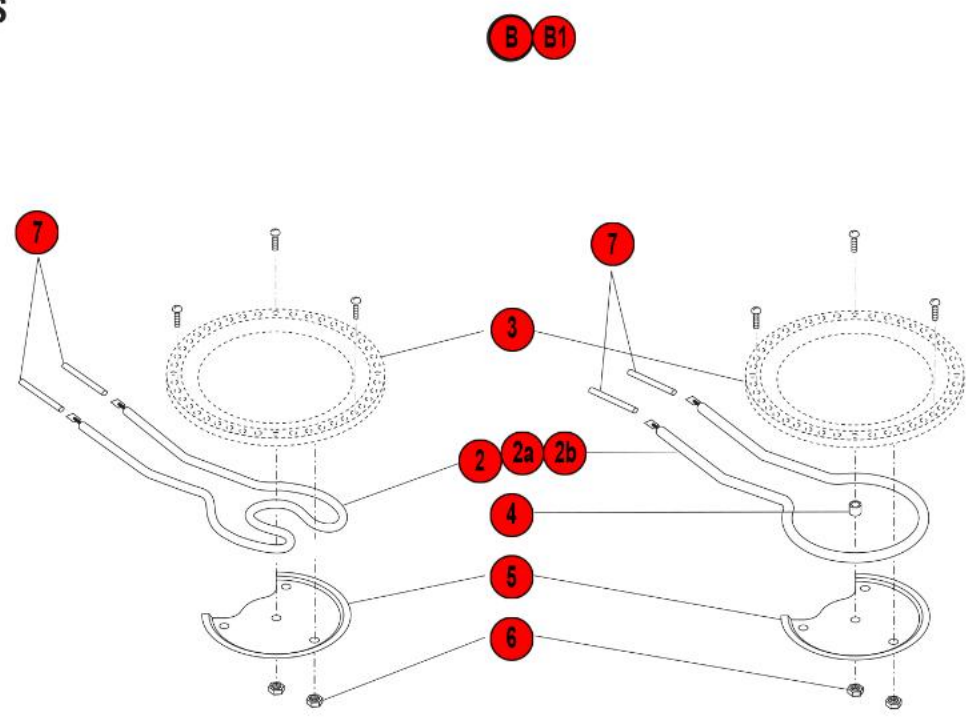
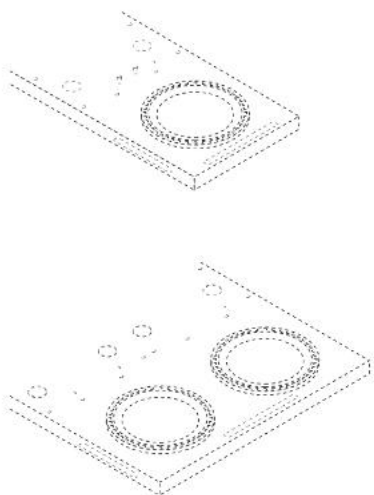
**UPPER & SIDE HOUSING WARMERS**



'A' & 'B' MODELS ONLY

120V & 120/240V MODELS ONLY

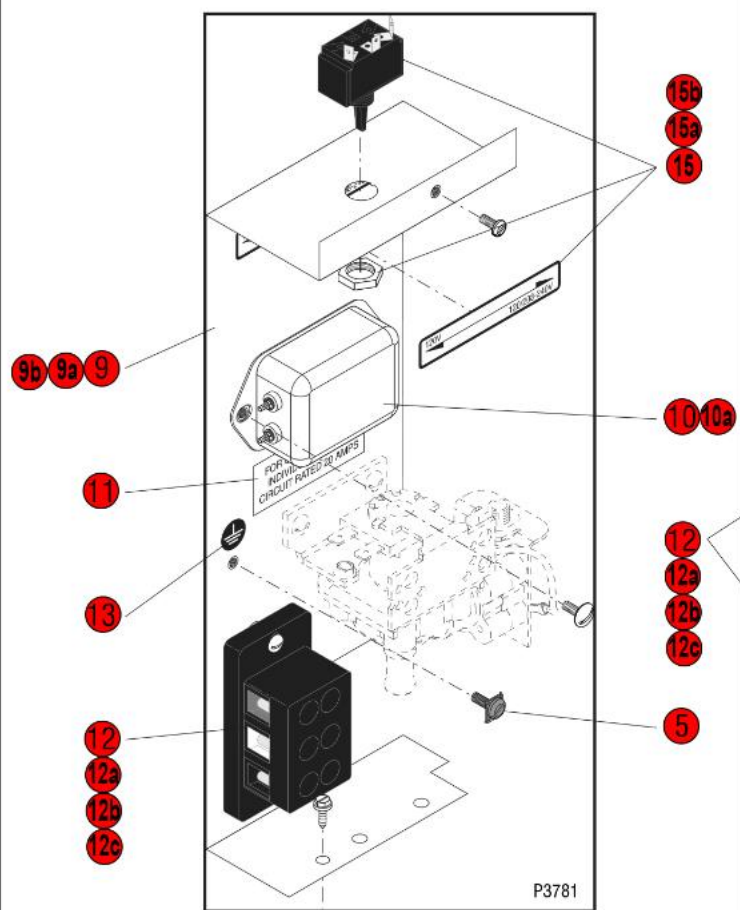
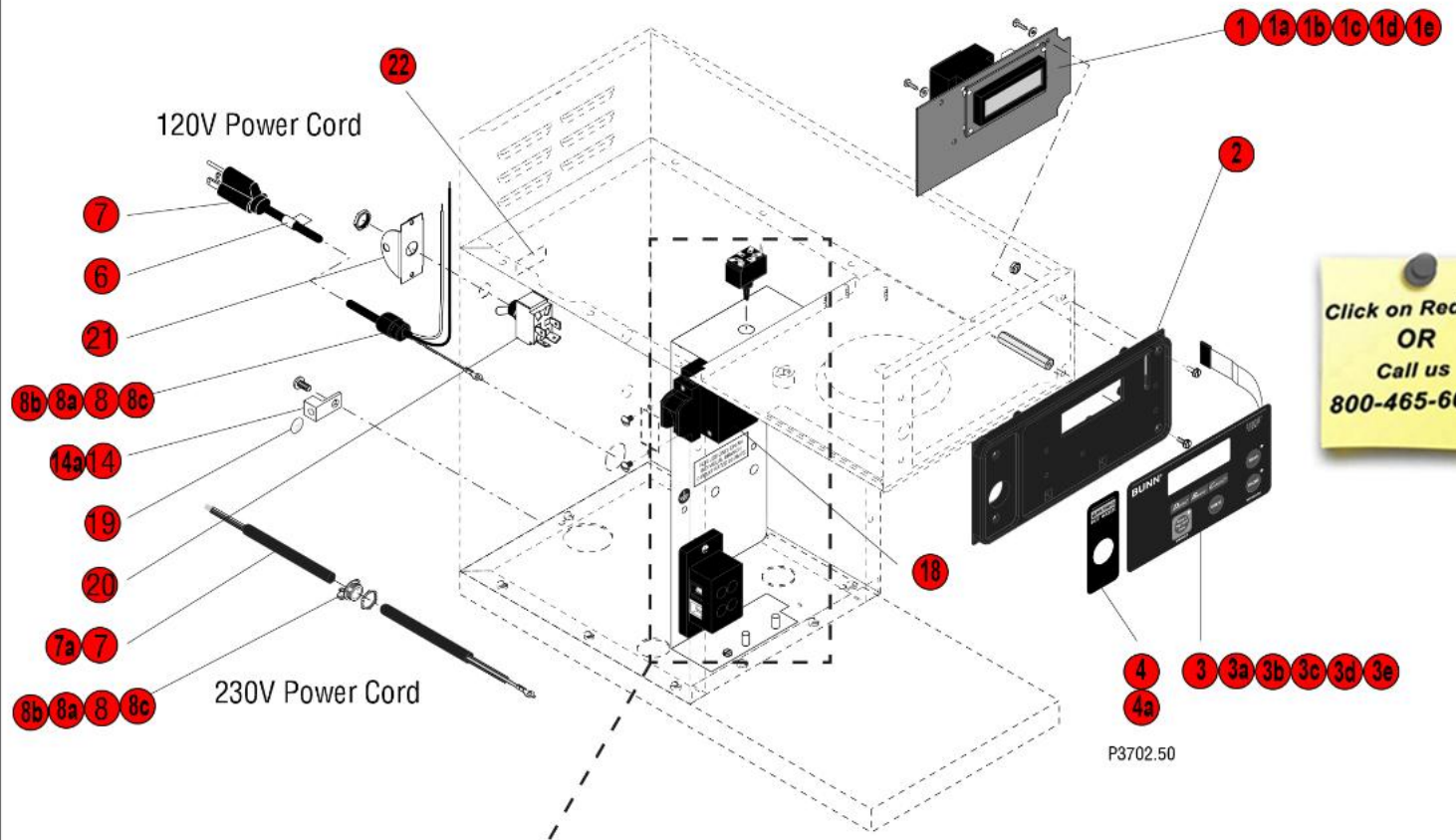
**BASE WARMERS**



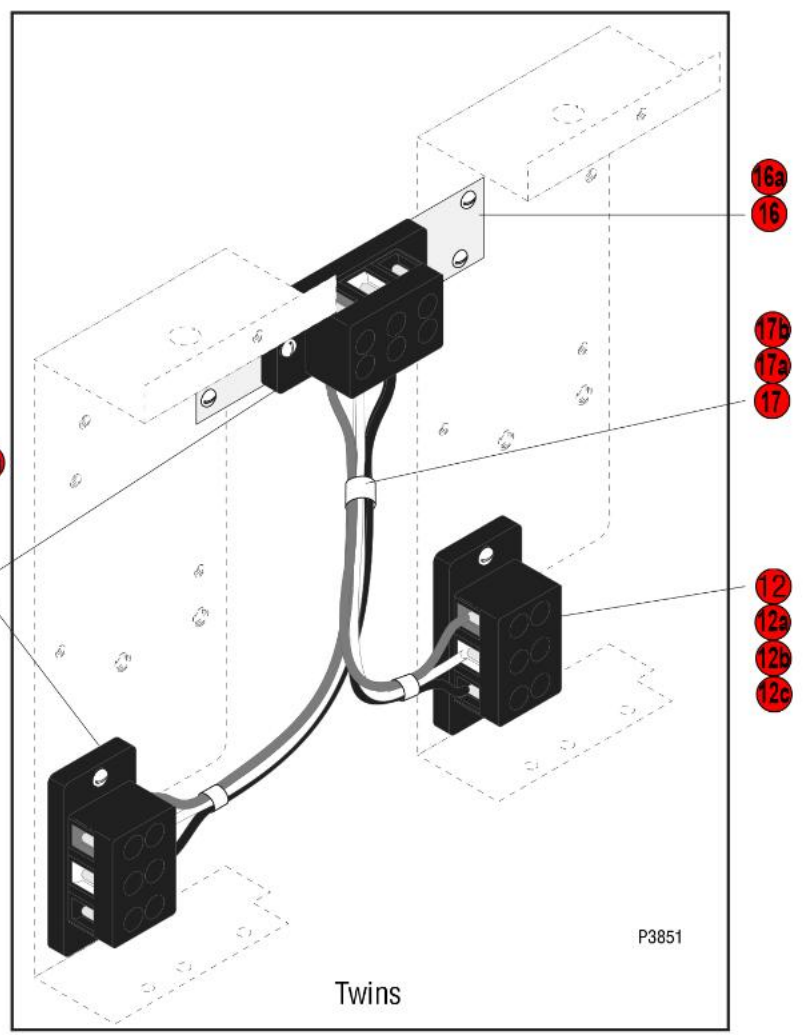
'A' & 'B' MODELS ONLY

120V & 120/240V MODELS ONLY





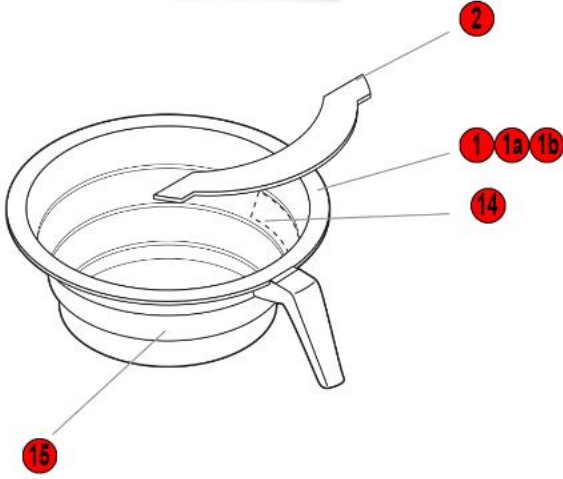
DV Models



Twins

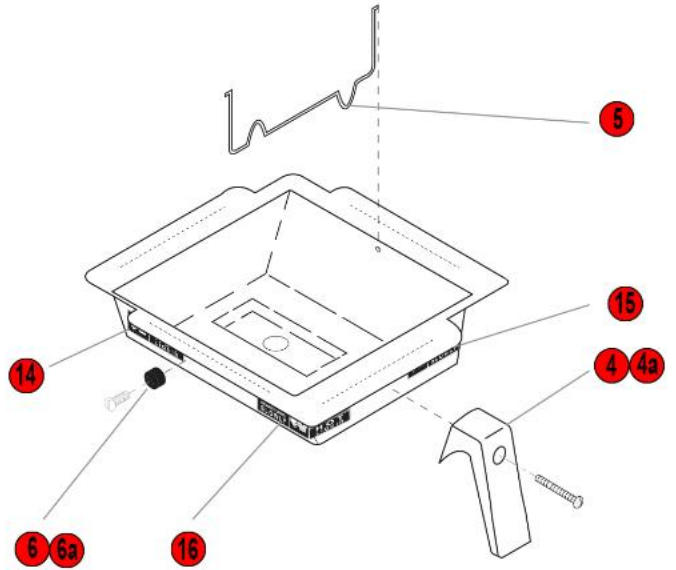
**A A1 A2**

Click on Red Dot  
OR  
Call us  
800-465-6060



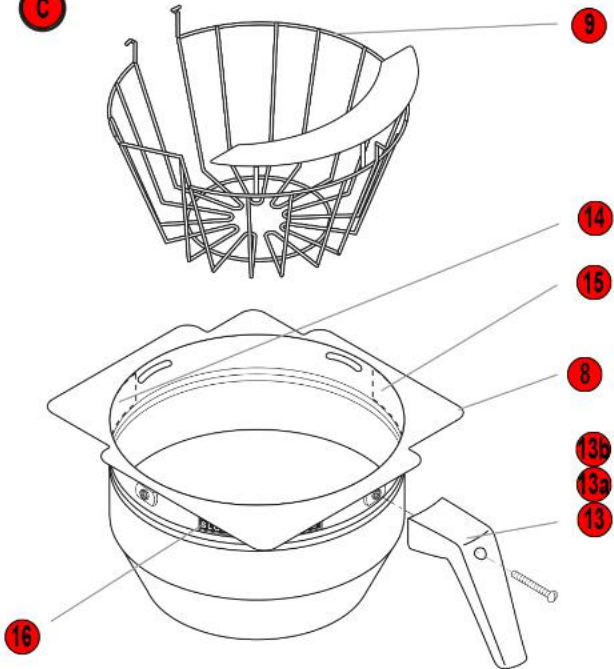
Plastic 'C' Funnel

**B B1 B2 B3**



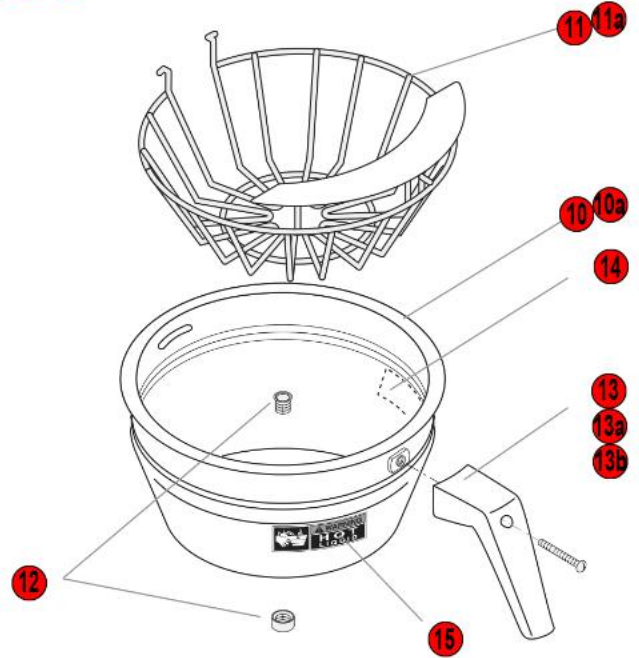
Pouch Pack Funnel

**C**



SST Gourmet 'C' Funnel

**D D1 D2 D3**



SST 'C' Funnel

Click on Red Dot  
OR  
Call us  
800-465-6060

